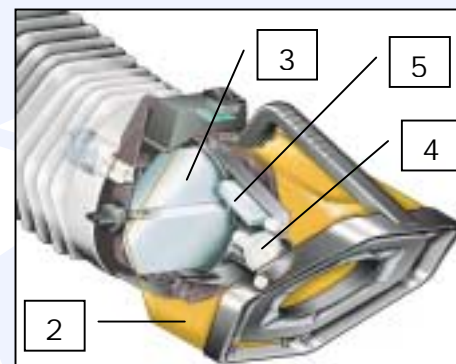
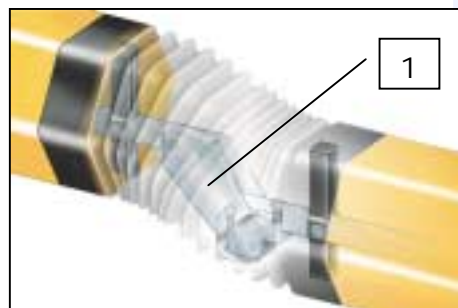




Apparent diameter		Ø 203 mm
Length		3 m (Flex 3) 4 m (Flex 4)
Max. reach (incl. wall bracket)		3,3 m (Flex 3) 4,3 m (Flex 4)
Balance system	(1)	EasyLift®
RotaHood®	(2)	standard
Throttle valve	(3)	standard
Working light	(4)	option
Working light + Automatic start/stop	(4 + 5)	option
Recommended extraction capacity		600-1600 m ³ /h
Net weight		15 kg (Flex 3) 17 kg (Flex 4)
Suitable fan type		FAN 28





Apparent diameter		Ø 203 mm
Length		3 m (UltraFlex 3) 4 m (UltraFlex 4)
Max. reach (incl. wall bracket)		3,3 m (UltraFlex 3) 4,3 m (UltraFlex 4)
Balance system	(1)	BalanceWheel®
RotaHood®	(2)	standard
Throttle valve	(3)	standard
Working light	(4)	option
Working light + Automatic start/stop	(4 + 5)	option
Recommended extraction capacity		600-1600 m ³ /h
Net weight		15 kg (UltraFlex 3) 17 kg (UltraFlex 4)
Suitable fan type		FAN 28

