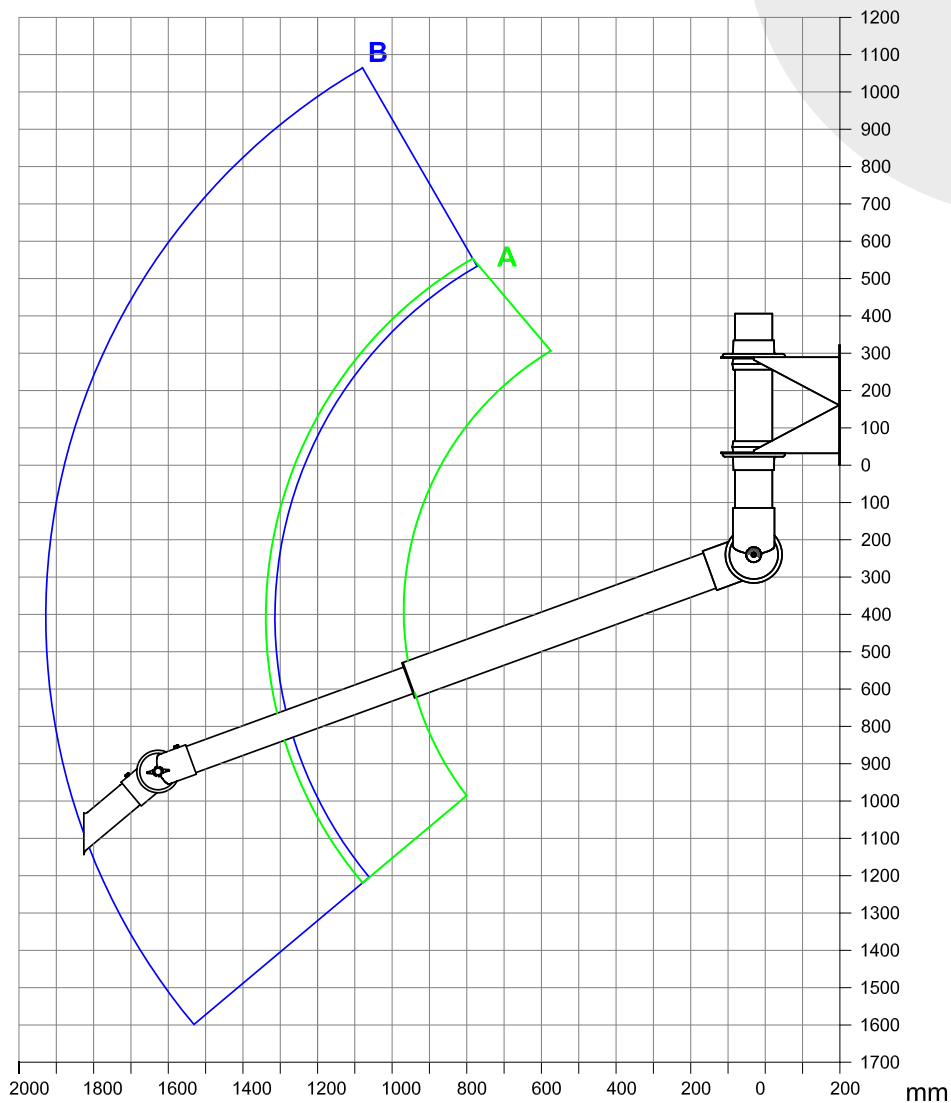


Teleskop – Aluminium (AL)

Wall Mounted (WM)



A: Model 900-1300-2 R: 950-1300 mm
 B: Model 900-1900-2 R: 1300-1900 mm

Accessory: Extractor Tube No. 1-7525

*The working area of the arm is defined from the center of the opening of the accessory.
 The working area changes according to type of accessory and positioning.*

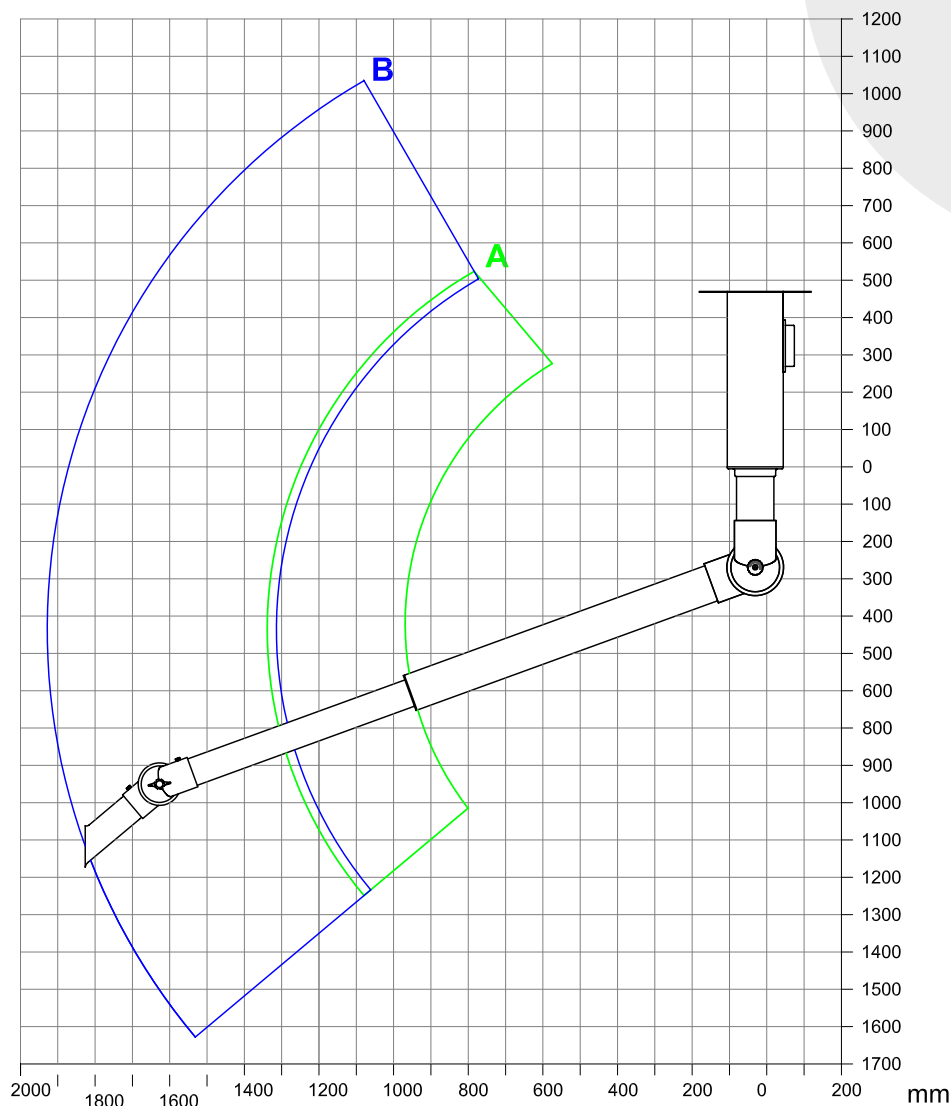
When choosing the arm we recommend that the stationary working position of the accessory is not placed in the highest or lowest part of the working area.

(All measurements in mm)



Teleskop – Aluminium (AL)

Ceiling Mounted (CM)



A: Model 900-1300-3 R: 950-1300 mm
 B: Model 900-1900-3 R: 1300-1900 mm

Accessory: Extractor Tube No. 1-7525

*The working area of the arm is defined from the center of the opening of the accessory.
 The working area changes according to type of accessory and positioning.*

When choosing the arm we recommend that the stationary working position of the accessory is not placed in the highest or lowest part of the working area.

(All measurements in mm)