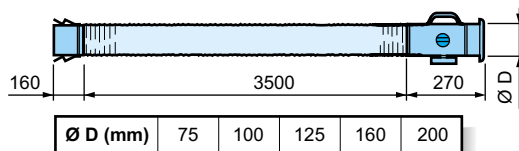


ACCESSORIES

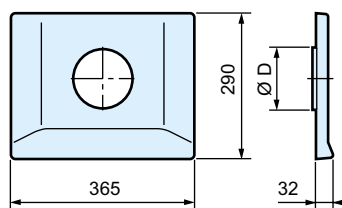


Material quick coupling & suction nozzle	Powder coated sheet steel
Hose material	PVC-coated polyamide fabric
Temp. Range	-10°C - +90°C
Weight	2,75 - 5 kg

EXTENSION HOSE

FLS-75, -100, -125, -160 & -200

Extension hose with magnetic nozzle and quick coupling to the local extractor. This extends the working area and facilitates working inside or under objects. Also available with heat resistant hose. For other hose options, contact Fumex.



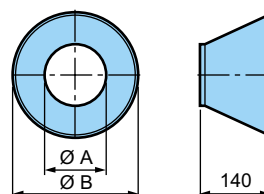
Hood	Ø D (mm)
100	98
125	123
160	158

Material	ABS-plastic
Temp. Range	-15°C - +80°C
Weight	340 g

FLAT SCREEN HOOD

PH 350-100, -125 & -160

The flat screen hood is designed to maximize the capture radius and working area without impeding the view of the operator.



Hood	Ø A (mm)	Ø B (mm)
75	72	250
100	98	250
125	122	250
160	156	300
200	199	350

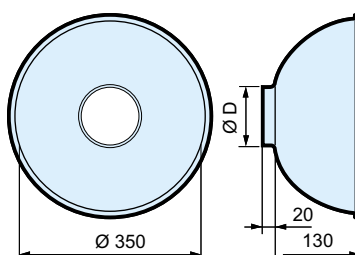
Material	Powder coated aluminium
Temp. Range	-15°C - +200°C
Weight	400 g

CONICAL HOOD

KH 075, -100, -125, -160 & -200

With halogen light: KHB 075, -100, -125, -160 & -200

The conical hood is used for work in hazardous environments, since it captures hot fumes, grinding dust etc. The hood may be equipped with a 12V/50W halogen light with a 240V to 12V step-down transformer.



Hood	Ø D (mm)
100	98
125	123
160	158

Material	PMMA(HIP) transparent
Temp. Range	-15°C - +80°C
Weight	330 g

DOME HOOD

K 100, -125 & -160

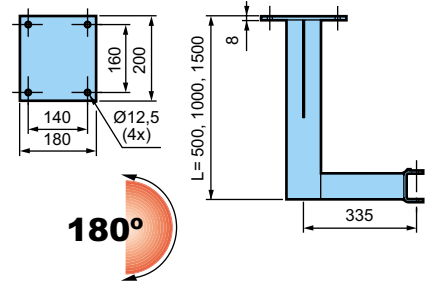
The dome hood is designed to maximize the capture radius without impeding the view of the operator.

Fumex also offers a range of fans and automatic control devices for our local extractors

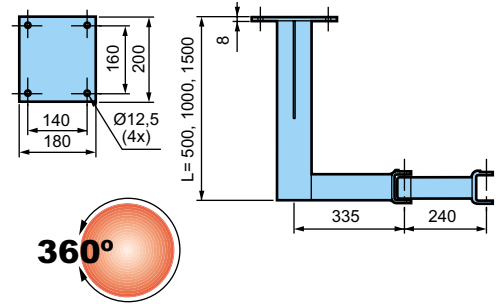
FUMEX[®]
LOCAL EXTRACTOR
Pure advantage



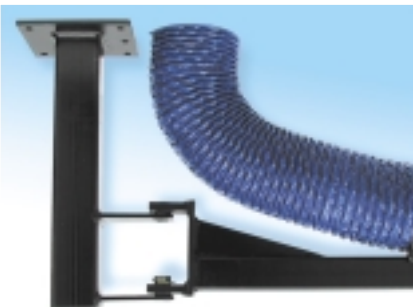
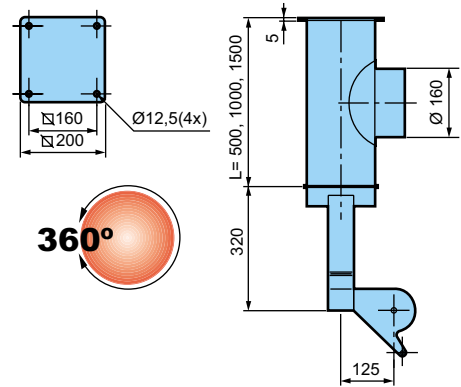
CEILING BRACKET
TIX-500, -1000 & -1500
Adapted to ceiling mounting of R, RX
and TEX extractors.
The ceiling bracket may also be used for
floor mounting after adaptation.



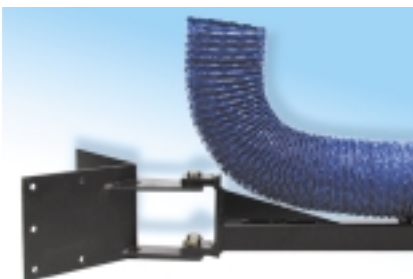
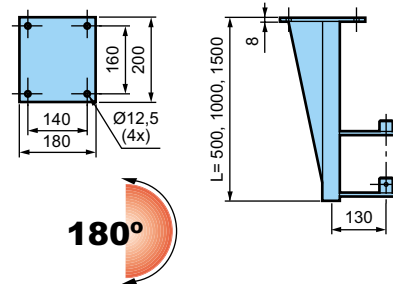
CEILING BRACKET
TIX 180 180-500, -1000 & -1500
Adapted to ceiling mounting of R, RX and
TEX extractors. An additional link facilitates
180 degree flexibility left & right.
The ceiling bracket may also be used for
floor mounting after adaptation.



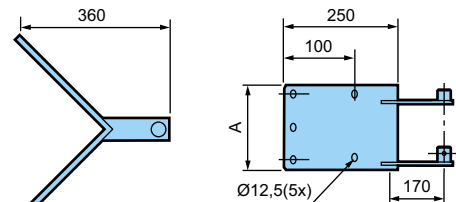
CEILING BRACKET
TIS-500, -1000 & -1500
Adapted to ceiling mounting of R, RX
and TEX extractors with 360 degree
swivel rotation.
The ceiling bracket may also be used for
floor mounting after adaptation. Max.
extractor length: 3 m.



CEILING BRACKET
TIZ-500, -1000 & -1500
Adapted to ceiling mounting of RZ and
RZX extractors up to 6.5 m length.
The ceiling bracket may also be used for
floor mounting after adaptation.



COLUMN BRACKET
VIZ-1
Adapted to column mounting of RZ and
RZX 4500 and 6500. Facilitates 270 degree
turning radius.



COLUMN BRACKET
VIZ-2

See above. Adapted to RZX 8500.

270°

	A (mm)
VIZ-1	200
VIZ-2	400