



GEOVENT

ASX – ATEX arm

ø160 and ø200

GEOVENT ASX extraction arm for ATEX applications zone 1, 2, 21 & 22.

The ASX arm is based on the ASA arm, where the operator's needs are in focus when it comes to maneuverability, ergonomics & efficiency.

The hose is mounted on the outside of the carrying arm. The arm has 3 stable and 2 flexible points, which provides smooth operation.

Description

Wall bracket: Steel console in powder enamel yellow RAL1007.

The console is pivotable up to 270 degrees.

Hood: Light weight hood in ø80, 100, 125, 160 or ø200mm. The ø160 & ø200 mm hood is equipped with an integrated ergonomic handle.

The hood is by default powder coated yellow RAL1007.

The hood can be moved in all possible positions.

Hose: Transparent PUR hose in antistatic material with copper spiral for grounding.

Temperature range: from -40°C to +100°C.

Arm and friction joint: 25x25 mm aluminum pipe, connected via joints with friction discs and plate springs.

Internal arm part is reinforced with 35x35 mm aluminum pipe and equipped with gas cylinder.

The arm is double grounded through PUR hose and carrying arm.

ATEX-directive 94/9/EC: EX II 3 D II

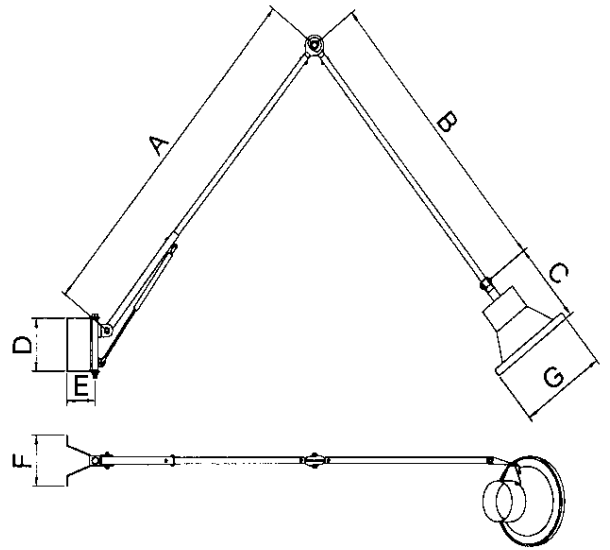
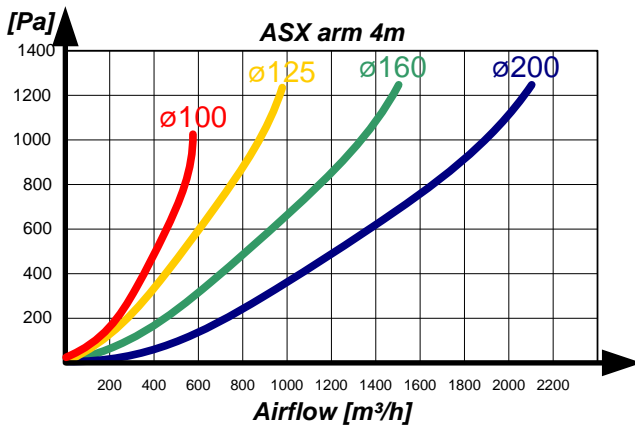
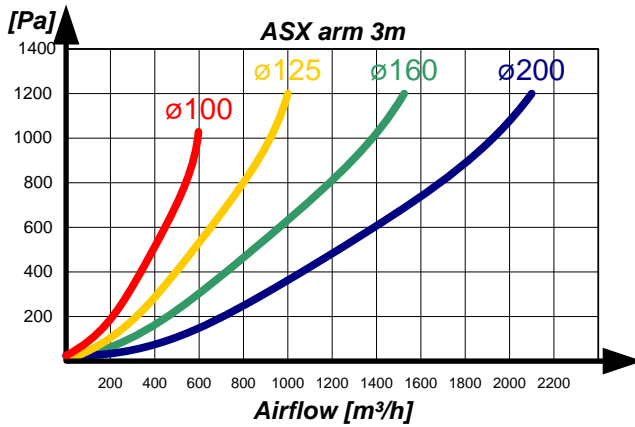
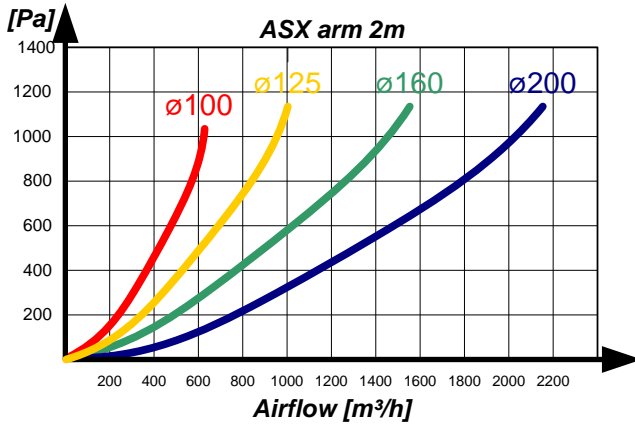


Standard issue –
ATEX zone 2/22



Stainless issue –
ATEX zone 1/21
Shown with
special hood





Dimension table ASX

Arm-length	A (mm)	B (mm)	D (mm)	E (mm)	F (mm)
2,0 m	920	680	206	120	200
3,0 m	1420	1180	206	120	200
4,0 m	1870	1710	206	120	200

Dimension table ASX

Hood	C (mm)	G (mm)
Ø80	180	178
Ø100	180	198
Ø125	180	223
Ø160	318	360
Ø200	318	360

