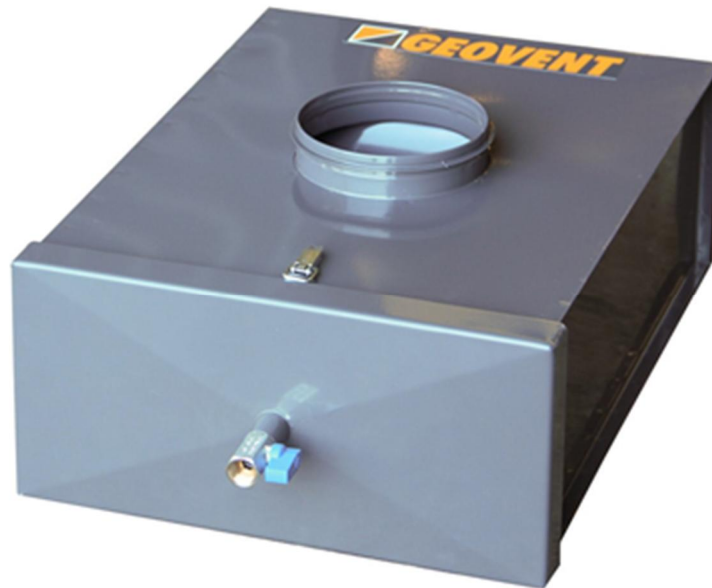




GeoFilter Oil 100 & 160



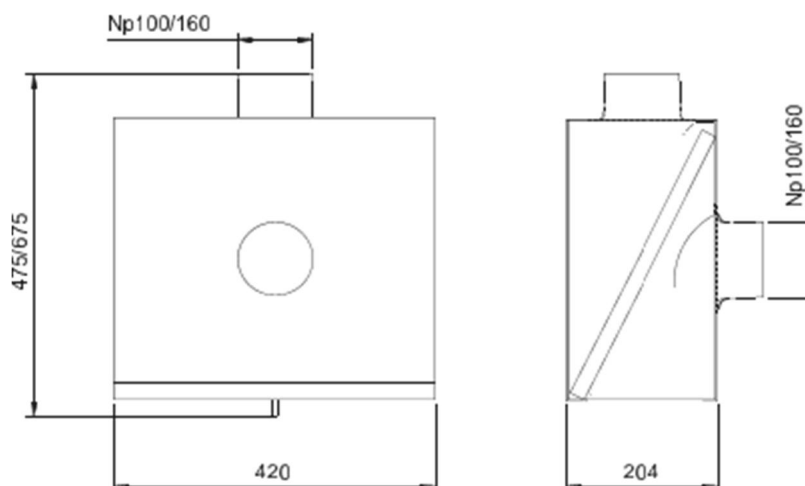
The GeoFilter Oil is used for the removal of oil mist from the cutting machines before it reaches the central piping system.

This avoids the oil condenses in the pipeline.

The GeoFilter Oil is available in 2 sizes: 100 & 160. The size refers to the diameter of the outlet.

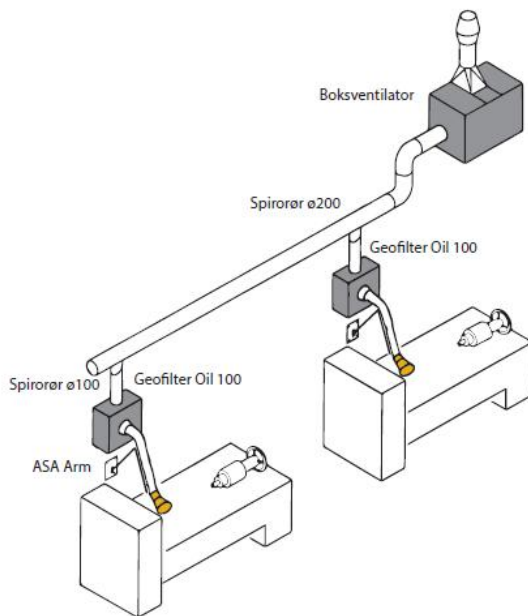
- Size 100 mainly used with conventional lathes; milling machines, wet grinders etc.
- Size 160 primarily used in connection with CNC machining centers and lathes.

Item No.: Geo Filter Oil 100 - 15-020
Geo Filter Oil 160 - 15-220





It is advisable to use an oil separator at each machine. In connection with the oil separator, you can use the Mini Arm or ASA arm as shown in the figure below.



The filter media, which is made of aluminum mat, is detachable via the removable bottom.

In the bottom, you have a tap for captured oil, which returns to the machine. The oil separator is executed in epoxy-enameled steel.

Filter area, size 100: 0.13 m²

Filter area, size 160: 0.19 m²

Accessories:

15-030 Replacement filter 100 400x400

15-031 Replacement filter 160 400x600

