



GEOVENT

High Vacuum Unit

HVU

Geovent high vacuum unit HVU (over 20 kPa) is the perfect choice for applications such as sanding, grinding, welding and cleaning. The Unit is typically used in carshops when doing bodywork or in combination with energy arms. The unit is supplied with a two step filter cyclone with a filtration level of up to 99,9% and is automatically cleaned by a pneumatic cleaning system.

COMPLETE SOLUTIONS

The High vacuum unit HVU is delivered as a complete, "ready to install" unit - Mounted on a stable frame with vacuum pump, safety valve, control panel & filter cyclone.

AREA OF APPLICATION

Extraction of grinding dust from handheld rotor grinders, stationary belt sander and grinders, brake dust from cars and trucks, and for regularly workspace cleaning etc. Not for use in aluminium applications.

AUTOMATIC FILTER CLEANING SYSTEM

The filter cyclone is cleaned automatically when operation and when the vacuum pump is stopped. A compressed air pulse is sent down through the filter cartridge against the air stream, which thereby cleans the cartridge.

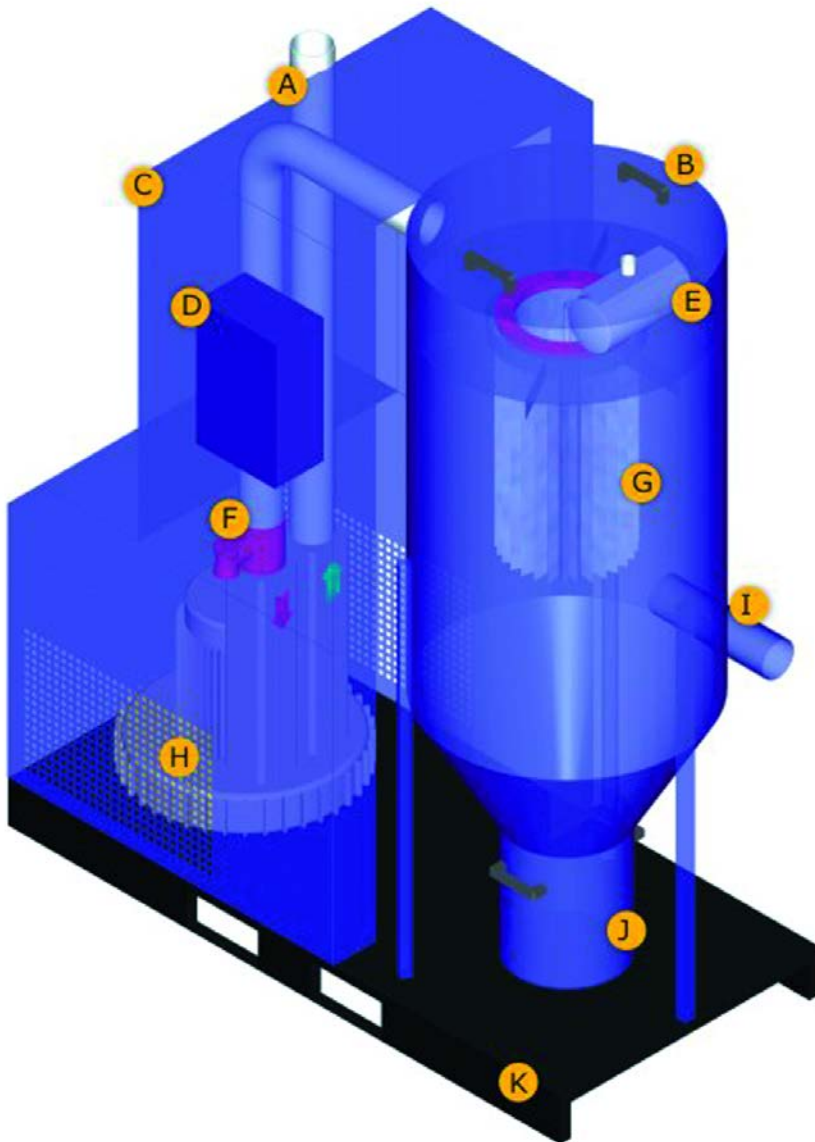
AUTOMATIC START/STOP

HVU is supplied with an automatic start/stop function which is activated by a micro switch on the outlet valve or by a button on an energy arm.

HIGH FILTRATION EFFICIENCY

Two step filter cyclone which filtrates bigger particles into the cyclone and the finer particles in the filter cartridges, where after all particles are separated into the collection bucket. The HVU is constructed in accordance with the Danish environmental institutes demand for a filtration efficiency of at least 99.9%, ref: BKG 922.





A: \varnothing 100mm outlet

B: Removeable top

C: Vacuum oump shield

D: Control panel with automatic start/stop & filter cleaning

E: Pneumatic cleaning system

F: Safety valve

G: Filter cartridge – Alu-coated polyester wearing - antistaic

H: Vacuum pump

I: \varnothing 100mm inlet

J: Collection bucket 25 liter

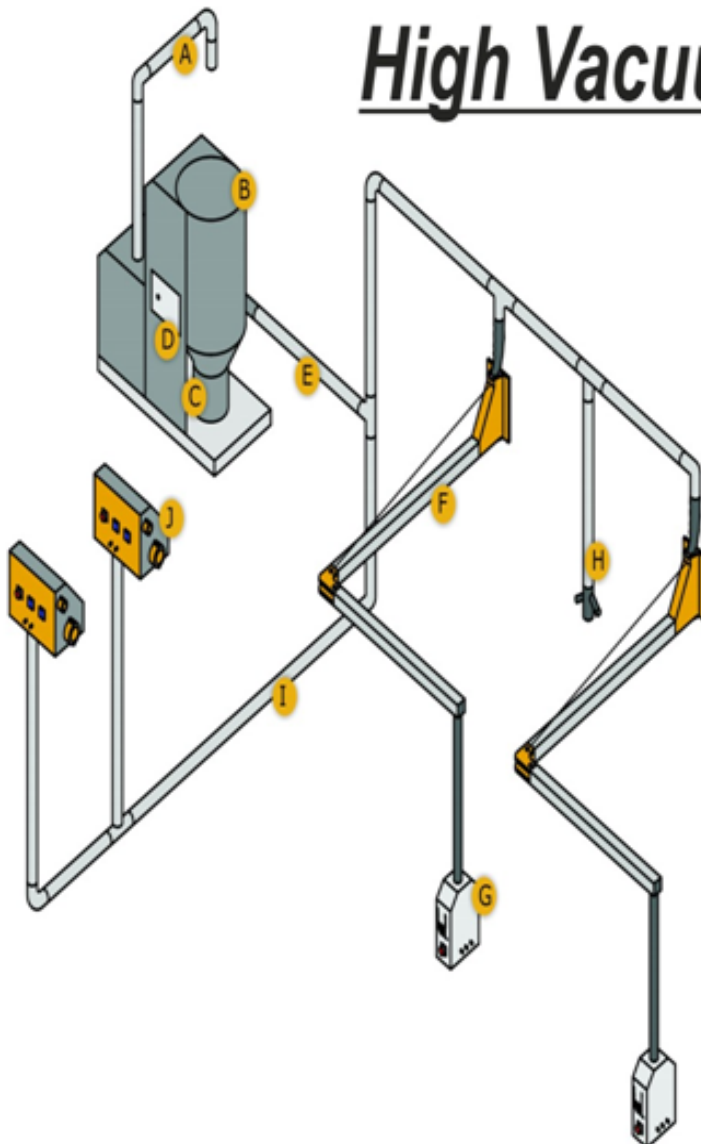
K: Frame with holes fork-lift truck



Description	HVU-3	HVU-5	HVU-7	HVU-11	HVU-15
Effekt [kW]	3	5,5	7,5	11	15
Power consumption 100% load	6,8 A	11,6 A	15 A	22 A	31 A
Max air flow	350	550	680	1180	1180
Max vacuum [kPa]	23	21	33	22	35
Filter area [m ²]	15	15	15	15	15
Filtration eff. Ac. To BIA-test [%]	99,9	99,9	99,9	99,9	99,9
Sound pressure level according to I SO 3746-1979	72 dBA	73 dBA	74 dBA	75 dBA	76 dBA
Collection (liter)	4	4	4	4	4
Collection bucket [liter]	25	25	25	25	25
cabinet + cyclone ø700mm	Lakeret	Lakeret	Lakeret	Lakeret	Lakeret
Corrosions class (in door)	II	II	II	II	II
Weight [kg]	205	232	261	307	328
Art. No.	03-650	03-651	03-652	03-653	03-654



High Vacuum



- Grinding dust extraction from rotor grinder & vibration polisher
- Metal chip extraction from turning, moulding & saving processes
- On torch welding fume extraction directly at source
- Regular workspaces cleaning

- A. Outlet - Clean Air
- B. High Vacuum Unit
- C. Filter cyclone with collection bucket
- D. Styretavle med automatisk start/stop
- E. \varnothing 100mm folded pipe
- F. Extension arm 5,5 or 6,5 m
- G. Energy arm with 2 high vacuum inlets
1 pcs. 400V & 230V power supply
3 pcs. compressed air outlet
+ an on/off switch for the High Vakuum Unit
- H. 2 pcs. \varnothing 50mm High Vacuum outlets with micro switch - Turns High Vacuum Unit on/off
- I. Pipe under floor
- J. Energy satellite with \varnothing 80mm High vacuum outlets, \varnothing 150mm Low vacuum outlet, 1 pcs. 400V & 2 pcs. 230V power supply + 2 pcs. compressed air outlets