

Fans

Soundbox – size 146 – 630

The Geovent Soundbox is made of full-galvanised steel, which offers effective protection against weather and wind to both fan and motor. Simultaneously, the box reduces the sound pressure level by approx. 8 - 15 dB(A), and thus it is the optimum solution, when a low noise level required.

The Soundbox is made of galvanised plate and supplied with 50 mm thick insulating materials (glass wool). Inside, the box is lined with a galvanised and perforated steel plate. Furthermore, a sound absorber is saved on the suction side, since this sound absorber is built-in by means of the front suction chamber. The box is supplied with an ø80 mm air inlet on the suction side for the cooling of the motor.



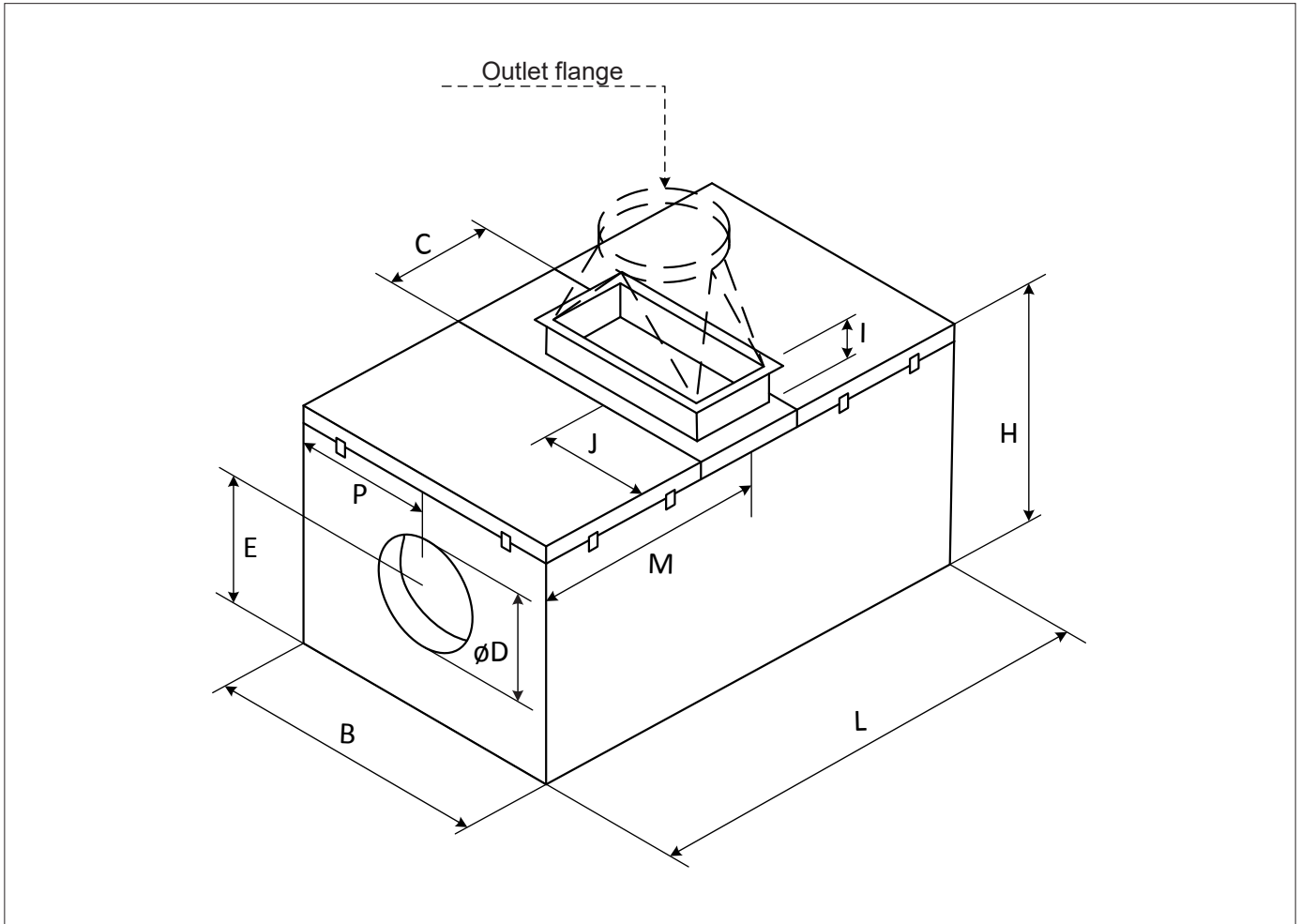
Soundbox



Accessories for fans

Art. No.	Model
30-070	Soundbox 146/180 *
30-070	Soundbox 200
30-070	Soundbox 225
30-070	Soundbox 250
34-070	Soundbox 280/315
34-070	Soundbox 355
35-070	Soundbox 400
35-570	Soundbox 450
35-570	Soundbox 500
35-870	Soundbox 630
* = (Fits both sizes.)	

Dimensions



NOTE: When the fan is built into a soundbox it comes without feet.
 Custom versions such as AISI 316L are available in request at an additional charge.

Dimensions for soundboxes - mm

Type	146/180	200	225	250	280/315	355	400	450	500	560	630
B	470	510	570	620	715	800	885	975	1000	1300	1300
H	405	455	475	510	615	670	750	820	860	1095	1095
L	720	820	915	1010	1160	1370	1470	1840	1845	1800	1800
ØD	160	200	250	250	315	400	400	500	500	630	630
E	205	230	240	260	320	355	385	410	430	545	545
P	230	355	285	310	357	410	450	480	490	645	645
M	362	410	465	510	580	683	730	925	927	880	880
J	200	255	225	245	285	310	335	368	323	488	488
C	190	200	215	240	280	308	330	365	370	470	470
I	105	100	105	105	105	100	105	105	100	100	100
Weight	26kg	35kg	38kg	45kg	61kg	85kg	114kg	148kg	156kg	190kg	190kg