



# GEOVENT

## Soundbox

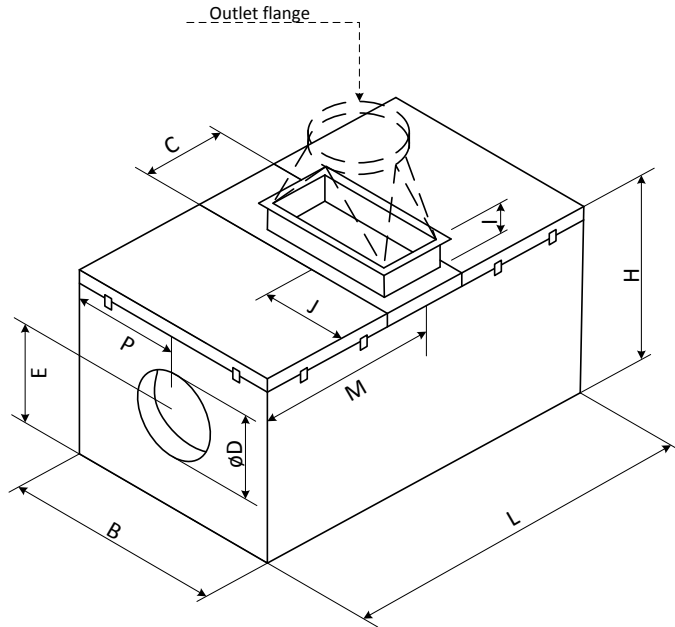
For fans

The Geovent Soundbox is made of full-galvanised steel, which offers effective protection against weather and wind to both fan and motor. Simultaneously, the box reduces the sound pressure level by approx. 6 - 8 dB(A), and thus it is the optimum solution, when a low noise level required.

The Soundbox is made of galvanised plate and supplied with 50 mm thick insulating materials (glass wool). Inside, the box is lined with a galvanised and perforated steel plate. Furthermore, a sound absorber is saved on the suction side, since this sound absorber is built-in by means of the front suction chamber. The box is supplied with an  $\varnothing 80$  mm air inlet on the suction side for the cooling of the motor.



Accessories for fans	
Art. No.	Model
30-070	Soundbox 146/180*
30-070	Soundbox 200
30-070	Soundbox 225
30-070	Soundbox 250
34-070	Soundbox 280/315 **
34-070	Soundbox 355 ***
35-070	Soundbox 400
35-570	Soundbox 450
35-570	Soundbox 500
35-870	Soundbox 630
*=(Fits both sizes.)	
**=(not MSK 315, use 34-070)	
***=(not MSK 355, use 35-070)	



NOTE: When the fan is built into a soundbox it comes without feet.  
 Custom versions such as AISI 316L are available in request at an additional charge.

Dimensions for soundboxes - mm										
Type	146/180	200	225	250	280/315	355	400	450	500	630
<b>B</b>	470	510	570	620	715	800	885	975	1000	1300
<b>H</b>	405	455	475	510	615	670	750	820	860	1095
<b>L</b>	720	820	915	1010	1160	1370	1470	1840	1845	1800
<b>ØD</b>	160	200	250	250	315	400	400	500	500	630
<b>E</b>	205	230	240	260	320	355	385	410	430	545
<b>P</b>	230	355	285	310	357	410	450	480	490	645
<b>M</b>	362	410	465	510	580	683	730	925	927	880
<b>J</b>	200	255	225	245	285	310	335	368	323	488
<b>C</b>	190	200	215	240	280	308	330	365	370	470
<b>I</b>	105	100	105	105	105	100	105	105	100	100
<b>Weight</b>	26kg	35kg	38kg	45kg	61kg	85kg	114kg	148kg	156kg	190kg