

Fans

Soundbox2 - size 146 - 630

The Geovent Soundbox2 is made of full-galvanised steel, which offers effective protection against weather and wind to both fan and motor. Simultaneously, the box reduces the sound pressure level by approx. 10 - 15 dB(A), which is the optimum solution, when a low noise level required.

It fits the LSFG/MSFG 146-250 and LEF/MEF 250-630 fan series.

The Soundbox2 is made of galvanised sheet metal and is supplied with 40 mm self-adhesive complex isolation. The box has cooling holes in the bottom that ensure cool air to the engine.



Soundbox2, available in different sizes

Ordering table

Art. No.	Description
38-072	Soundbox2 146
30-072	Soundbox2 180
31-072	Soundbox2 200
32-072	Soundbox2 225
33-072	Soundbox2 250
34-072	Soundbox2 315
34-572	Soundbox2 355
35-072	Soundbox2 400
35-572	Soundbox2 450
36-572	Soundbox2 500
35-872	Soundbox2 560
35-772	Soundbox2 630

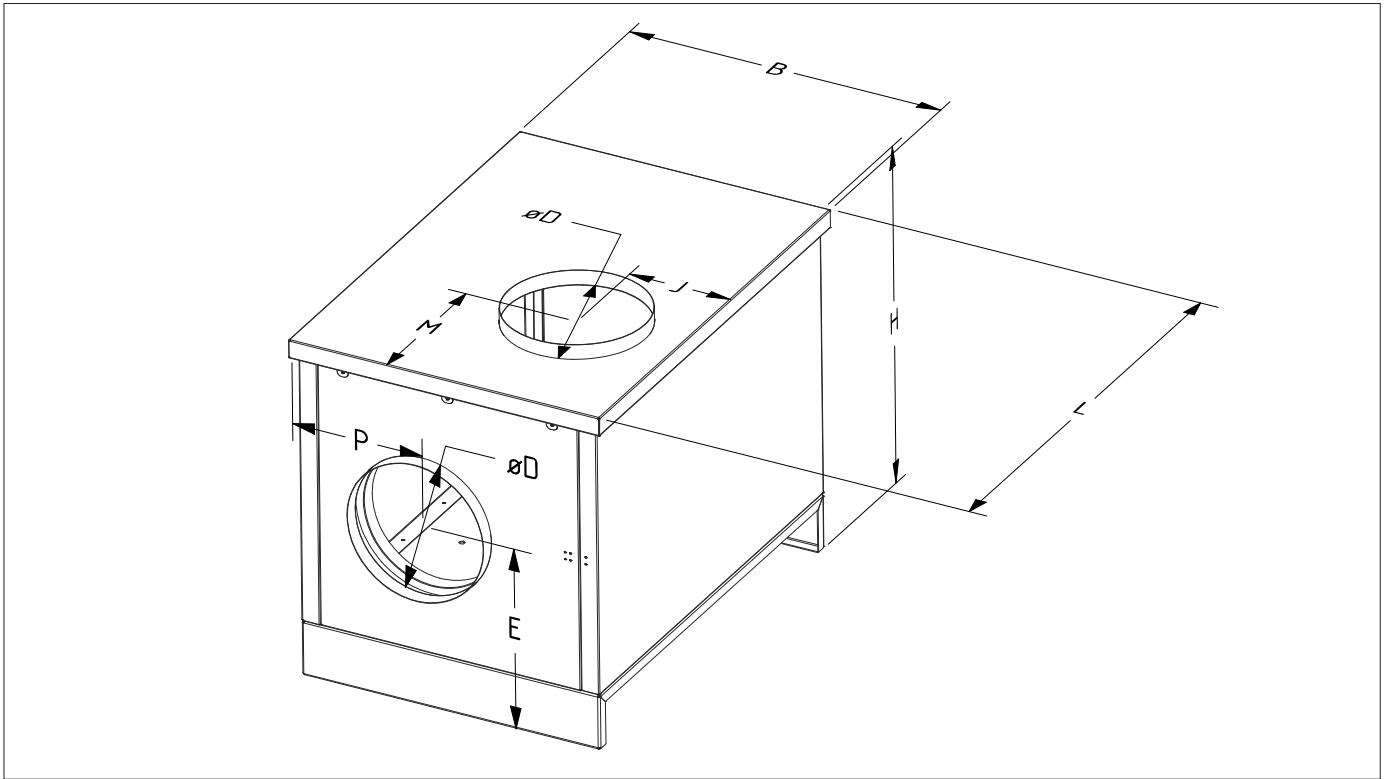
Accessories for soundbox2

Art. No.	Description
92-211	Safety switch 16Amp
92-212	Safety switch 45Amp
56-052	Reduction, sleeve ø200MF/NP ø125
56-053	Reduction, sleeve ø200MF/NP ø100
56-054	Reduction, sleeve ø200MF/NP ø160
56-055	Reduction, sleeve ø250MF/NP ø160



Lock and handles on Soundbox2

Dimensions



NOTE: When the fan is built into a soundbox it comes without feet.
 Custom versions such as AISI 316L are available on request at an additional charge.

Dimensions for soundboxes - mm

Type	146/180/200	225/250	315	355/400	450/500	560/630
B	518	615	715	873	986	1290
H	592	652	778	915	1046	1277
L	685	784	984	1080	1272	1390
øD	200	250	315	400	500	630
E	330	345	415	485	546	673
P	226	268	298	354	420	525
M	212/262	254	335	308	379	429
J	169/189	205	233	269	318	393
Weight	34 kg	42 kg	63 kg	81 kg	105 kg	155 kg



Soundbox2, here shown with silencers on inlet/outlet, and with a safety (repair) switch (not factory mounted).