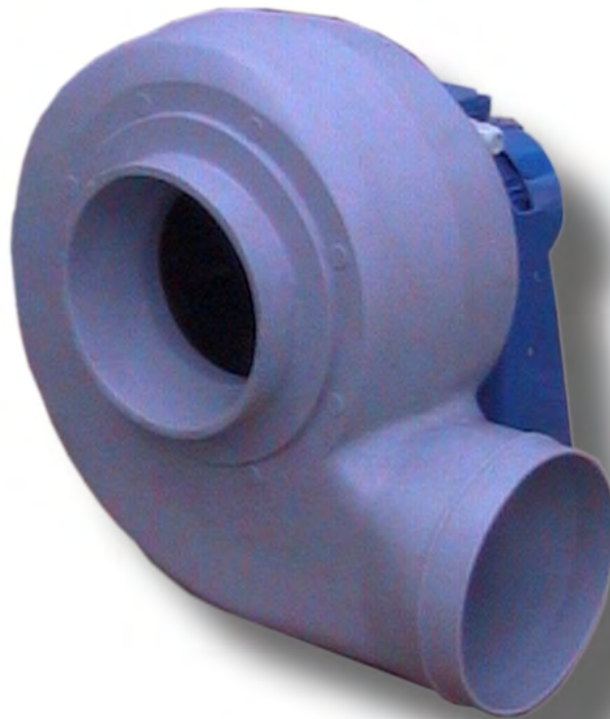




GEOVENT

GEOVENT Plastic fans

RPV, LPV & MPV 202 - 456



Air Flow 50 – 6.750m³/h

Static Pressure 1.700 Pa

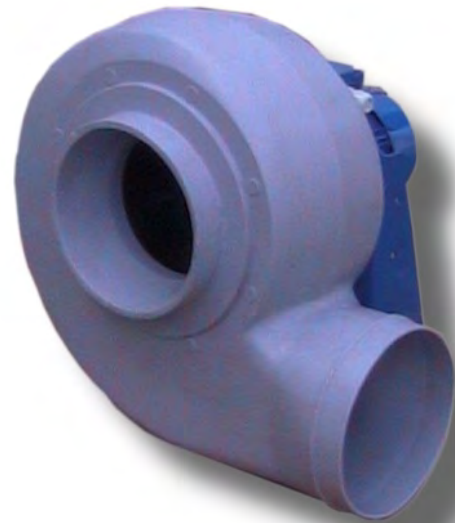


GEOVENT Plastoc Fans type RPV, LPV & MPV is a series of acid proof plastic, designed for extraction of gases and fumes from highly corrosive processes.

For instance lab fume hoods, battery rooms, washers and chemical processes etc.

The fans are cast in polypropylene/polyethylene which provides maximum protection against acid and corrosion.

Air Flows from 50-6.750 m³/h and 10-1.700 Pa static pressure.



Construction:

The housing is cast in Polypropylene.

The wheel is cast in Polypropylene with backward curved blades.

The motor console is made of powder coated sheet metal.

Nuts and bolts are in stainless steel.

The motor is a direct drive asynchronous motor. Default is 3-phases (3x400V 50Hz), but is available in 1x230V 50Hz

The Plastic Fan is available in ATEX for Zone 1/21 and zone 2/22 in accordance with directive 94/9/EC

By default the fan is supplied as RD0. Upon request it is available as LG in the positions 315°, 0° and 45°

Temperature of the extracted air up to 70°C.



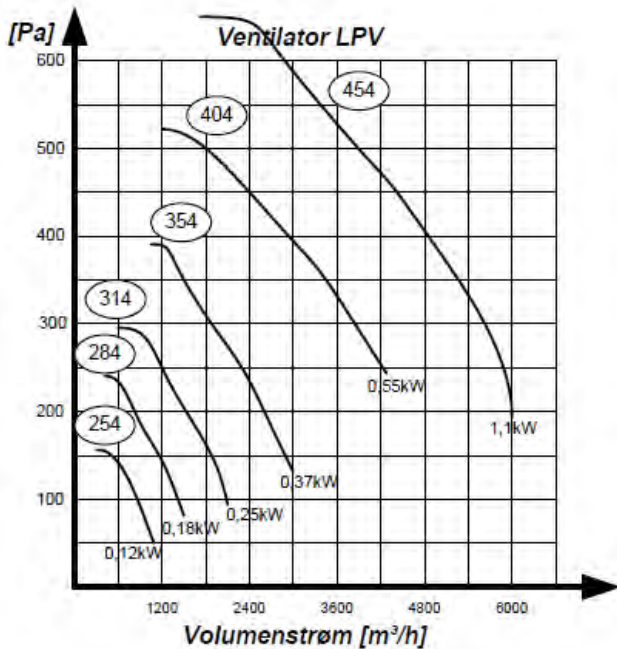
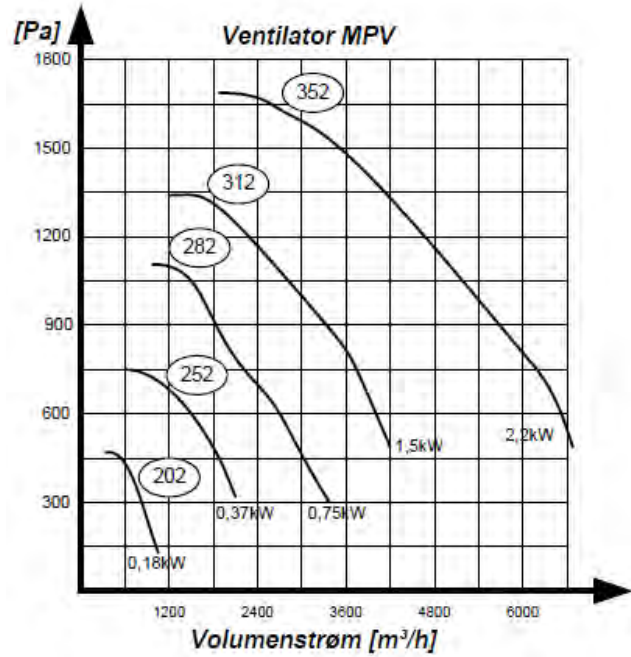
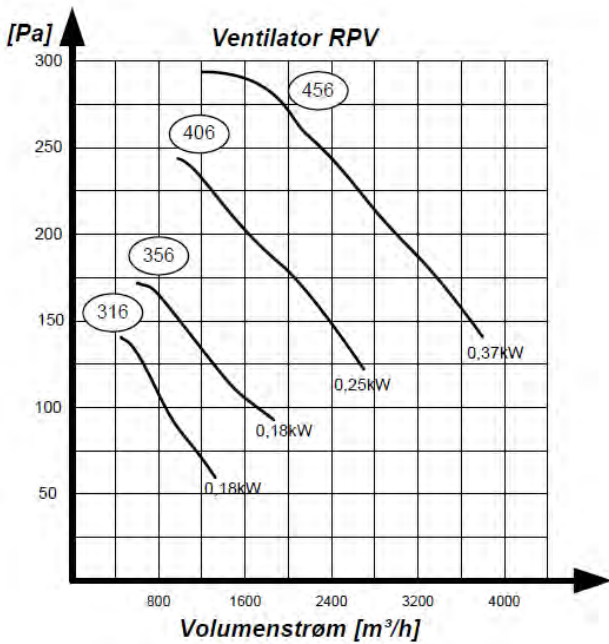


GEOVENT

GEOVENT Plastic fans

RPV, LPV & MPV 202 - 456

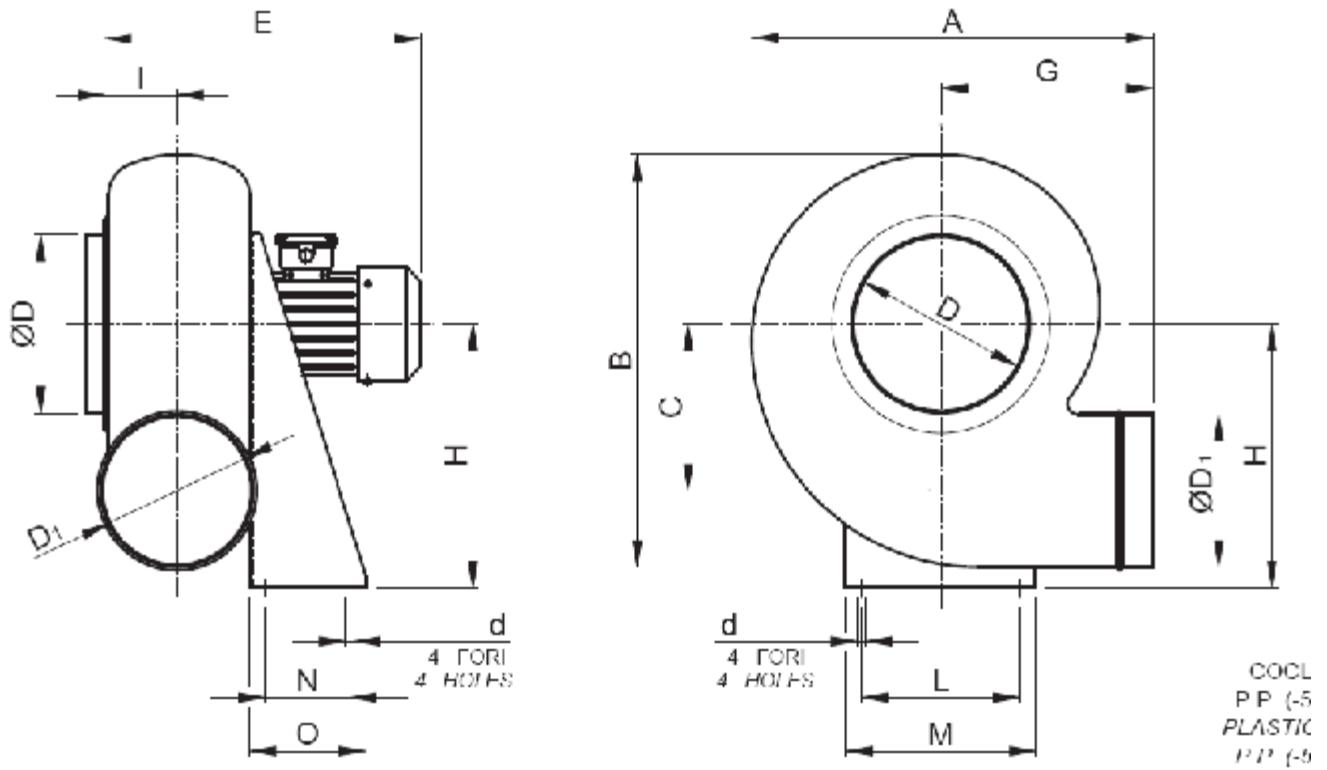
Air Flows:



Type	Motor		Weight kg	Sound dB(A)
	rpm	kw		
MPV 202	2750	0,18	10	62
MPV 252	2820	0,37	12	71
LPV 254	1370	0,12	10	54
MPV 282	2820	0,75	22	75
LPV 284	1370	0,16	17	55
MPV 312	2850	1,5	31	79
LPV 314	1400	0,25	23	59
MPV 352	2870	2,2	38	80
LPV 354	1400	0,37	28	61
LPV 404	1420	0,55	38	69
RPV 406	920	0,25	34	56
LPV 454	1420	1,1	48	70
RPV 456	920	0,37	37	59



Dimensions:



Type	Motor		A	B	C	E	G	H	I	D	D1	L	M	N	O	d
	rpm	kw														
MPV 202	2750	0,18	398	370	140	340	218	250	75	160	160	195	245	100	150	10
MPV 252	2820	0,37	478	465	183	390	250	310	90	200	200	252	302	100	150	10
LPV 254	1370	0,12	478	465	183	370	250	310	90	200	200	252	302	100	150	10
MPV 282	2820	0,75	555	520	208	422	300	350	95	225	225	277	327	120	170	10
LPV 284	1370	0,16	555	520	208	380	300	350	95	225	225	277	327	120	170	10
MPV 312	2850	1,5	600	580	240	445	320	410	100	250	250	315	365	150	200	10
LPV 314	1400	0,25	600	580	240	410	320	410	100	250	250	315	365	150	200	10
MPV 352	2870	2,2	552	640	260	490	340	445	110	280	280	345	395	150	200	10
LPV 354	1400	0,37	652	640	260	430	340	445	110	280	280	345	395	150	200	10
LPV 404	1420	0,55	726	723	290	472	374	495	120	315	315	465	515	170	220	10
RPV 406	920	0,25	726	723	290	450	374	495	120	315	315	465	515	170	220	10
LPV 454	1420	1,1	792	810	324	510	400	550	133	355	355	510	560	170	220	10
RPV 456	920	0,37	792	810	324	497	400	550	133	365	355	510	560	170	220	10