

# GEOVENT



## FAN

MHF – 400/500

Geovent MHF is a centrifugal fan with backward curved closed B-impeller and direct driven motor. MHF fan is used for industrial process ventilation. Strong pressure fan, which is suitable for reduced airflow, rates at relatively high pressure.

For example, use MHF in connection with sanding dust.

Suitable for PID / constant pressure regulation.

The fan is made of galvanized steel and is therefore suitable for outdoor installation on a roof or wall.

For MHF fan Geovent offers a variety of accessories consisting of among others flex connections, mounting brackets, rain shield, motor protection, pressure guard and sound box.

MHF fan comes standard with vibration damping underpin, inlet nozzle with a net and flange for mounting the outlet flange.

Airflow rates up to 4000 m<sup>3</sup>/h

Press up to: 11.000 Pa using the a frequency converter





### Electrical Data / Other Data / Features

Engine: Direct drive with B5 flange motor  
protection class IP 55  
Voltage: 3x400V / 50 Hz

MHF-400: Q = 1.000 m<sup>3</sup>/h at 1.700Pa  
MHF-500: Q = 1.000 m<sup>3</sup>/h at 3.800Pa

**HOUSE:** Made of hot galvanized sheet metal. All screws and bolts are galvanized. Incl. bear feet with vibration dampers, inlet nozzle with net and chucking equipment for mounting the outlet flange.

### Temperature range

Ambient temperature: + 40° C

Temperature exhaust air: + 80° C

### Audio data

MHF-400 = 86dB (A)

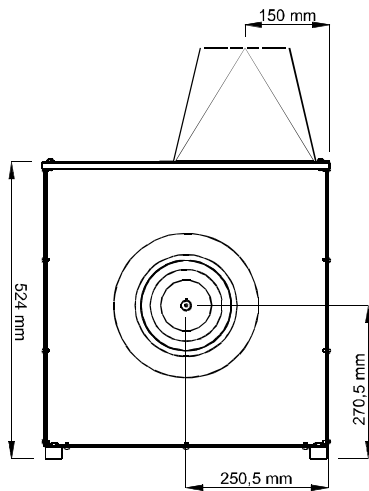
MHF-500 = 93dB (A)





### Dimensions

MHF-400



MHF-500

