

Channel Duct

Type 25 in extruded aluminium

The Geovent Channel Duct, type 25, is for the extraction of exhaust gas and welding fumes, etc. With up to 48 m duct, the Channel Duct ensures a large working area to the operator, because then he is not dependent on fixed extraction areas, since the trolley may be moved/slid to the required area. The duct may be equipped with up to six trolleys in total. At test stands with linear flow and in medium sized and large garages, the Channel Duct is utilised optimally.

2

Effective spot extraction

Geovent Channel Duct, ceiling mounted



Easy operation:

The hose trolley is equipped with 6 smoothly rolling nylon wheels, ensuring easy movement of the trolley. Furthermore, the nuisance of having heavy, rolled-out hoses on the floor is avoided. The Channel Duct is available with a substantial variety of accessories, facilitating the daily work for the operator: Electrical, wireless forward and return transport, compressed air nozzles for automatic dismounting of the exhaust, etc.

Easy installation:

We have made great efforts to ensure the easy installation of our Channel Duct with accessories, meaning that the Duct may be installed very quickly, thus saving money for the erecting engineer.

We shall be pleased to help with the dimensioning.

Mounting tool, for easy installation of rubber lips on channel duct.



GEOVENT

Brevo B.V.
Dokwerkerstraat 3
2984 BJ Ridderkerk
Telefoon 0180-417344, Fax 0180-411563
Email : info@brevo.nl, Web : www.puntafzuiging.nl



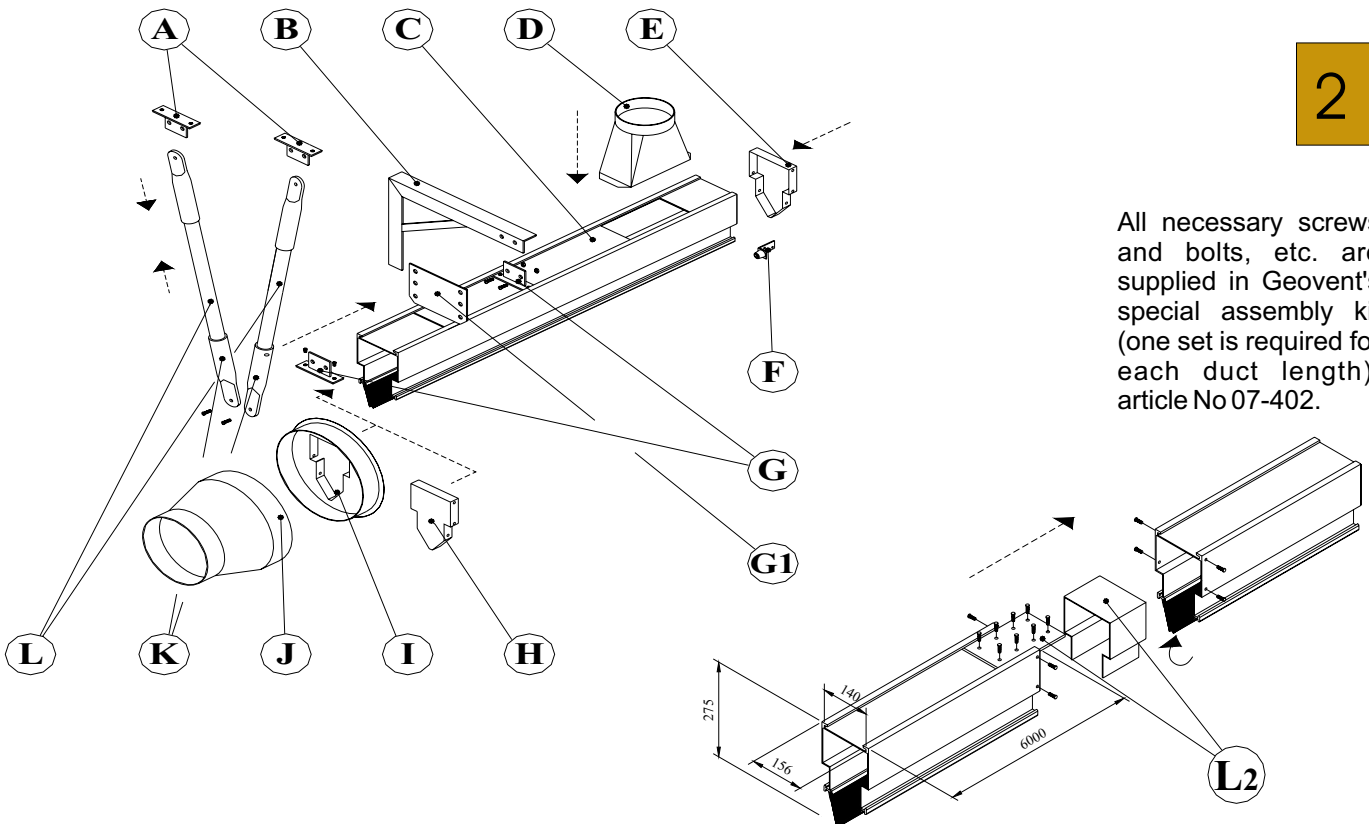
March 2001

Channel Duct

Type 25 in extruded aluminium

Characteristic

2



All necessary screws and bolts, etc. are supplied in Geovent's special assembly kit (one set is required for each duct length), article No 07-402.

Ordering table for Channel Duct		
Pos.	Art.no.	Model
C	07-400	Channel Duct, type 25 in extruded aluminium with heat-resistant neoprene rubber lips
L2	07-401	Channel connecting link, made of galvanised steel plate, for the connection of two lengths of Channel Duct
-	07-402	Assembly parts, misc. accessories for the installation of the channel (1 set is necessary per duct length)
E/H	07-403	End cover, type 25, in galvanised steel
F	07-404	Rubber buffer for end stop of trolley
I	07-406	End transition piece, nipple $\varnothing 250$ mm, end of Channel Duct to round duct
J	07-480 07-481	Reduction, galvanised, coupling $\varnothing 250$ mm / nipple $\varnothing 160$ Reduction, galvanised, coupling $\varnothing 250$ mm / nipple $\varnothing 200$
D	07-408 07-409	Transition for top installation, nipple $\varnothing 160$ mm, from top of Channel Duct to round duct Transition for top installation, nipple $\varnothing 200$ mm, from top of Channel Duct to round duct
M	07-411	Trolley, type 25, of epoxy enamelled steel, without damper, complete with 6 smoothly rolling nylon wheels and $\varnothing 160$ mm nipple connection
Channel Duct, type 25 in extruded aluminium. The Channel Duct is supplied in lengths of 2, 4 and 6 m		

Ordering table for Channel Duct		
Art.no.	Pos.	Model
07-656	G	Suspension bracket, type 60 , in galvanised steel. Used both for mounting in the ceiling and on the wall (one required per 2-4 m duct). To be replaced by 07-655, suspension bracket, type 160, when mounted on the side of a concrete beam
07-422	K	Coupling bracket for spacer pipe (set of two), galvanised. Two sets required per point of fixation.
07-424	L	Spacer pipe 3/8" , galvanised for 07-422 coupling bracket (required number = 4 x height from duct to ceiling)
07-662	A	Rocking bracket for ceiling installation. Two brackets required per point of fixation.
07-655	G1	Suspension bracket, type 160 , galvanised plate for installation on the side of a concrete beam. Three installation heights (07-456 suspension bracket, type 60 is not required when using this type of bracket).
The Geovent Channel Duct is suitable for ceiling or wall installation or on the side of a concrete beam. Geovent has developed a set of various brackets, facilitating the installation of the Channel Duct. The Duct should be fixed every 2-4 m.		

Please refer to the next pages (3/4) & (4/4) for the remaining tables

GEOVENT

Brevo B.V.
Dokwerkerstraat 3
2984 BJ Ridderkerk
Telefoon 0180-417344, Fax 0180-411563
Email : info@brevo.nl, Web : www.puntafzuiging.nl



