

## Extraction arms

# ASA-3 arm, $\varnothing 80$ , $\varnothing 100$ , $\varnothing 125$ , $\varnothing 160$ and $\varnothing 200$ mm

GEOVENT ASA-3 extraction arm for welding fumes, grinding dust and fumes etc, where the operators needs are in focus when it comes to maneuverability, ergonomic and efficiency. The hose is mounted on the outside of the carrying arm. The arm has 3 stables and 2 turning points, which result in smooth operation. The arm can be extended up to 8 m. by means of extension arms. The ASA-3 is available in length of 2.0m, 3.0 m and 4.0 m.

### Description

**Wall bracket:** Steel console in powder enamel yellow RAL1007. The console is turn able up to 180°.

**Hood:** Light weight hood in  $\varnothing 80$ , 100, 125, 160 or  $\varnothing 200$ mm. The  $\varnothing 160$  &  $\varnothing 200$  mm hood is equipped with an integrated ergonomic handle. The hood is as standard covered in powder enamel yellow RAL1007. Move able in all possible positions.

**Hose:** Black P2A1000 in strong PVC with steel spiral. Temperature from -40°C to +100°C.

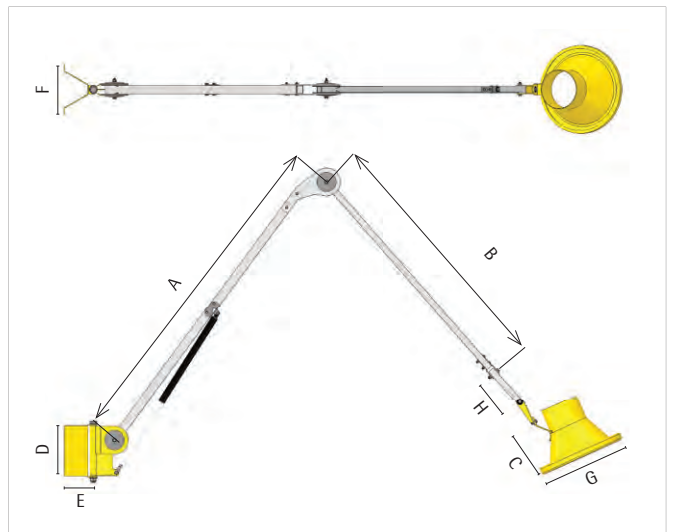
**Arm and friction joint:** 25x25 mm aluminum pipe, connected via joints with friction discs and plate springs. Inner arm part is reinforced with 35x35 mm aluminum pipe and equipped with gas spring.

**Capacity:** Up to 2.000 m<sup>3</sup>/h, which makes it suitable for all types of welding fumes and glue fumes, where large airflows are required.



ASA-3 arm

### Dimensions



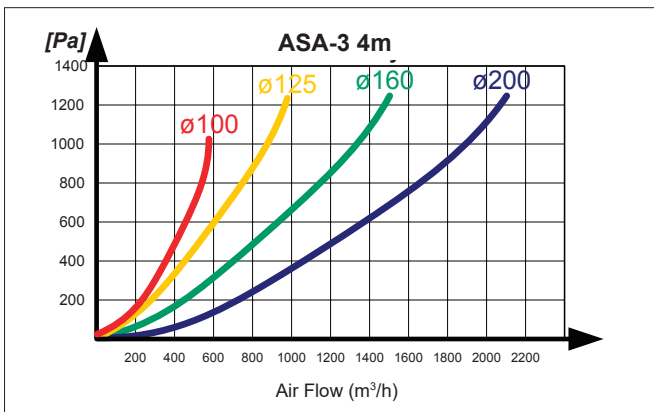
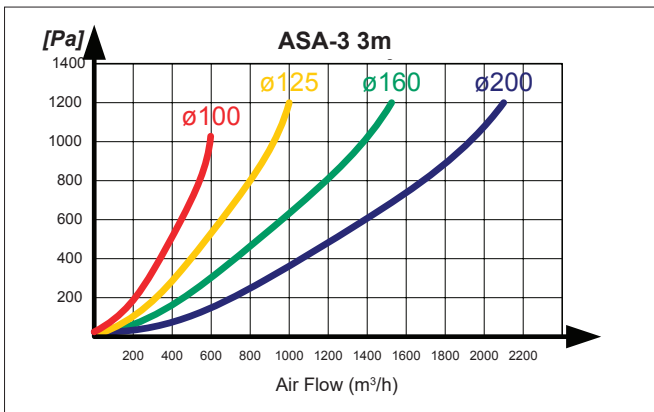
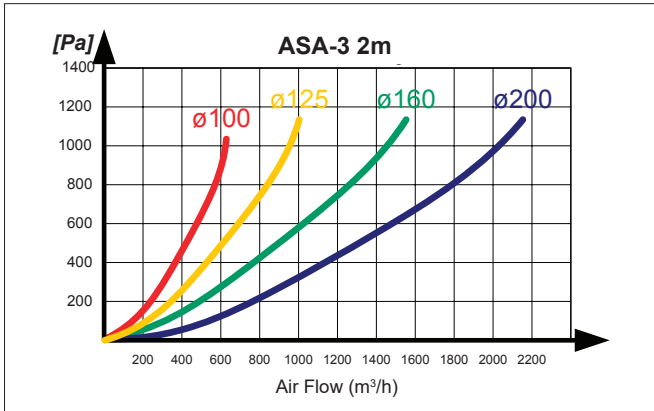
Arm	A [mm]	B [mm]	D [mm]	E [mm]	F [mm]
2,0 m	870	700	206	120	200
3,0 m	1370	1210	206	120	200
4,0 m	1865	1700	206	120	200

Hood	C [mm]	G [mm]	H [mm]
Hood $\varnothing 80$ mm	225	205	200
Hood $\varnothing 100$ mm	245	225	200
Hood $\varnothing 125$ mm	240	250	200
Hood $\varnothing 160$ mm	225	355	200
Hood $\varnothing 200$ mm	180	355	200

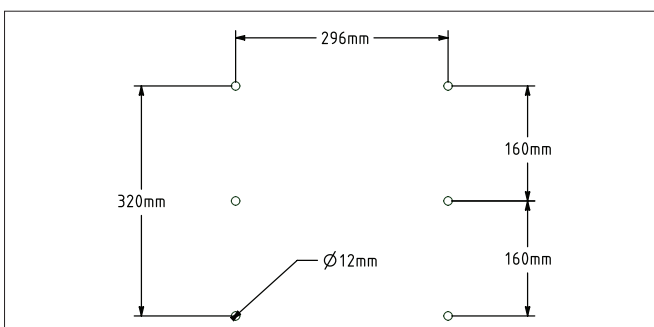


Special Solution

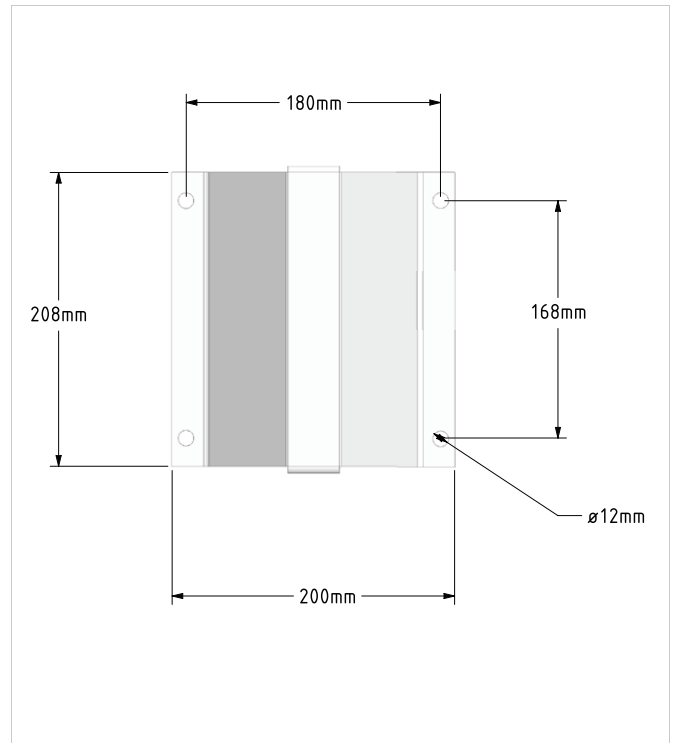
### Pressure drop



### Dimensional drawing of the extension arm



### Dimensional drawing of the wall bracket



### Ordering table

Art. No.	Description
ASA-01	ASA-3 arm 2,0 m $\varnothing 80$ mm, complete
ASA-11	ASA-3 arm 3,0 m $\varnothing 80$ mm, complete
ASA-02	ASA-3 arm 2,0 m $\varnothing 100$ mm, complete
ASA-12	ASA-3 arm 3,0 m $\varnothing 100$ mm, complete
ASA-22	ASA-3 arm 4,0 m $\varnothing 100$ mm, complete
ASA-03	ASA-3 arm 2,0 m $\varnothing 125$ mm, complete
ASA-13	ASA-3 arm 3,0 m $\varnothing 125$ mm, complete
ASA-23	ASA-3 arm 4,0 m $\varnothing 125$ mm, complete
ASA-04	ASA-3 arm 2,0 m $\varnothing 160$ mm, complete
ASA-14	ASA-3 arm 3,0 m $\varnothing 160$ mm, complete
ASA-24	ASA-3 arm 4,0 m $\varnothing 160$ mm, complete
ASA-31	ASA-3 arm 2,0 m $\varnothing 200$ mm, complete
ASA-33	ASA-3 arm 3,0 m $\varnothing 200$ mm, complete
ASA-35	ASA-3 arm 4,0 m $\varnothing 200$ mm, complete

12-005	Air tight damper $\varnothing 80$
12-006	Air tight damper $\varnothing 100$
12-012	Air tight damper $\varnothing 125$
12-008	Air tight damper $\varnothing 160$
12-009	Air tight damper $\varnothing 200$