

## Filter

# GeoFilter GF4

The GeoFilter GF4 is a fully galvanised coarse filter for the filtration of dust from minor welding and grinding processes.

The capacity of approx. 4,000 m<sup>3</sup>/h of the filter corresponds to 3-4 Extraction Arms for welding fumes. The maximum working pressure is 2,000 Pa.

The replaceable bag filter medium must be disposed of properly.

### Features:

Housing	Fully galvanised
Type of filter	Bag filter EU3, EU5 or EU8.
Filtration efficiency	EU3=86 %, EU5=95 % EU7=99% at 0,3 mm
Filter change	Detach front cover
Collection system	Collection chamber beneath bag filter – access via front
Filter cleaning	Hand – washable

### Options:

Manometer	Indicates filter pressure drop
Filter guard	Gives signal when filter needs to be changed

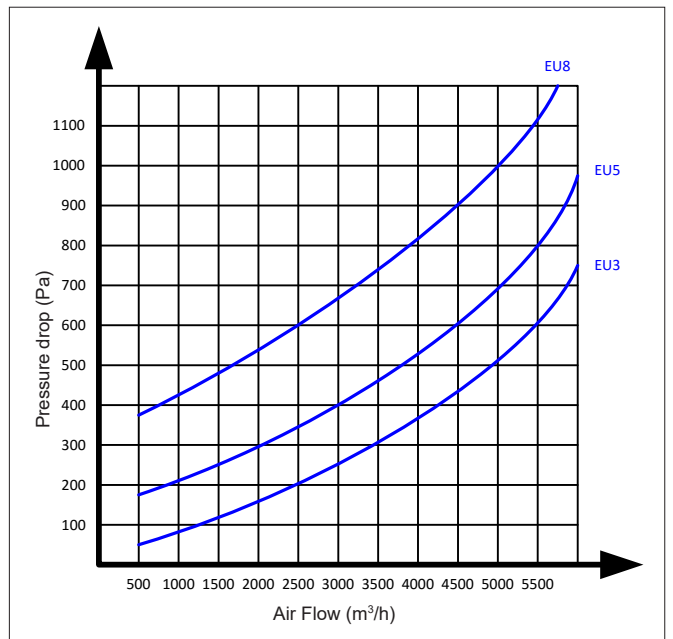


GF4

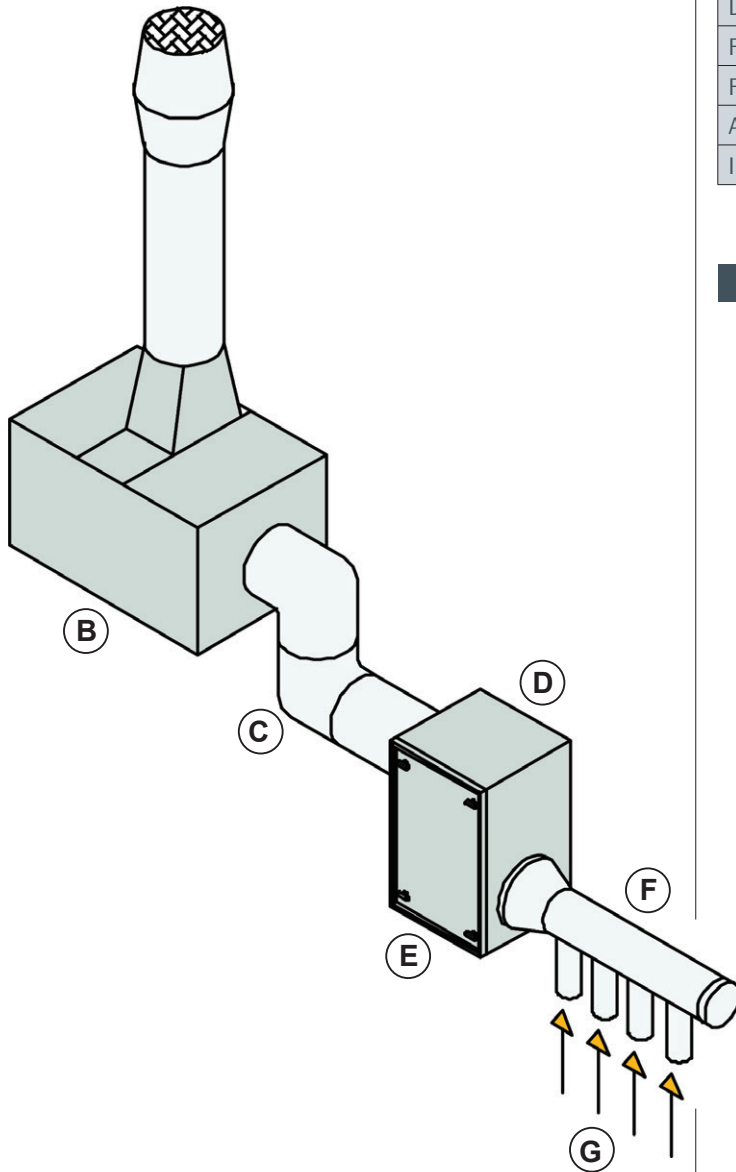
## Filter



## Pressure drop



Example



- A: Outlet – minimum 2 m. above roof ridge
- B: Fan in sound box
- C: Channel – clean side
- D: Geofilter GF4
- E: Lid for filter change
- F: Channel – dust side.
- G: Outlet for grinders etc.

Item number	15-504	15-503	15-502
Degree of Filtration	86%	95%	99%
Filtertype	EU3	EU5	EU8
Filterarea (m <sup>2</sup> )	2	4	4
Airflow (m <sup>3</sup> /h)	4000	4000	3000
Inlet/outlet (mm)	ø400np	ø400np	ø400np

Dimensions

