

FUMEX® PRH

Welding hood for industrial use.



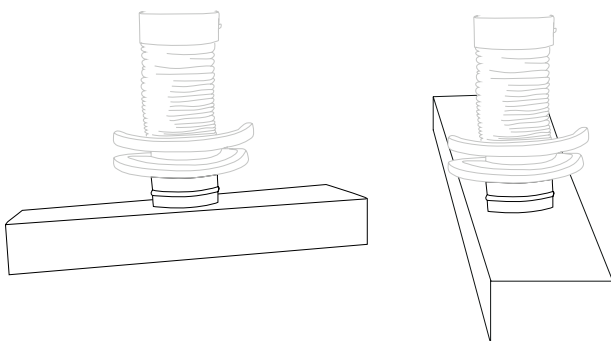
A newly developed hood with 360 ° swivel function enables a wider capture of smoke during e.g welding

The hood is pushed into place against a standard PR hood and two buckles on the inside ensures that the hood is firmly secured.

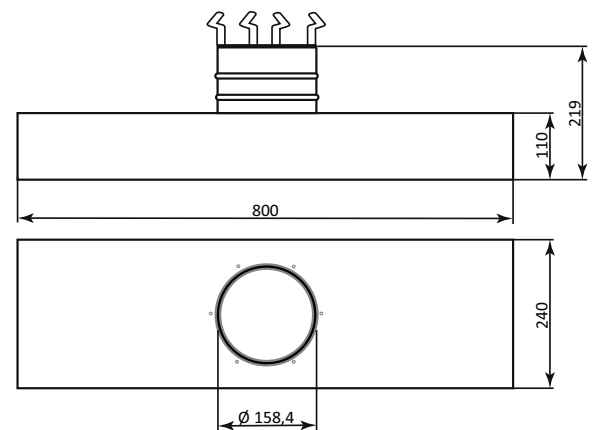
PR can be equipped with LED lighting and / or switch to control the fan / damper.

PRH 800-160 / 2 Hood with swivel, includes a 800N gas spring that replaces the standard gas spring. Fits a PR 2000-160.

PRH 800-160 / 3 Hood with swivel, includes a 1150N gas spring that replaces the standard gas spring. Fits a PR 3000-160.



360 ° swivel function enables a wider working area and maximum flexibility



Technical data

Properties Non-inflammable, suitable for welding fumes and flue gases.

Temperature range.....-10°C to +90° C..

Steel componentsBlack oxidised, chromed or powder coated.

Weight..... 2,2 kg

The Fumex range also includes fans, accessories, automatic control gear and filters for local extraction

LOCAL EXTRACTORS

Pure advantages